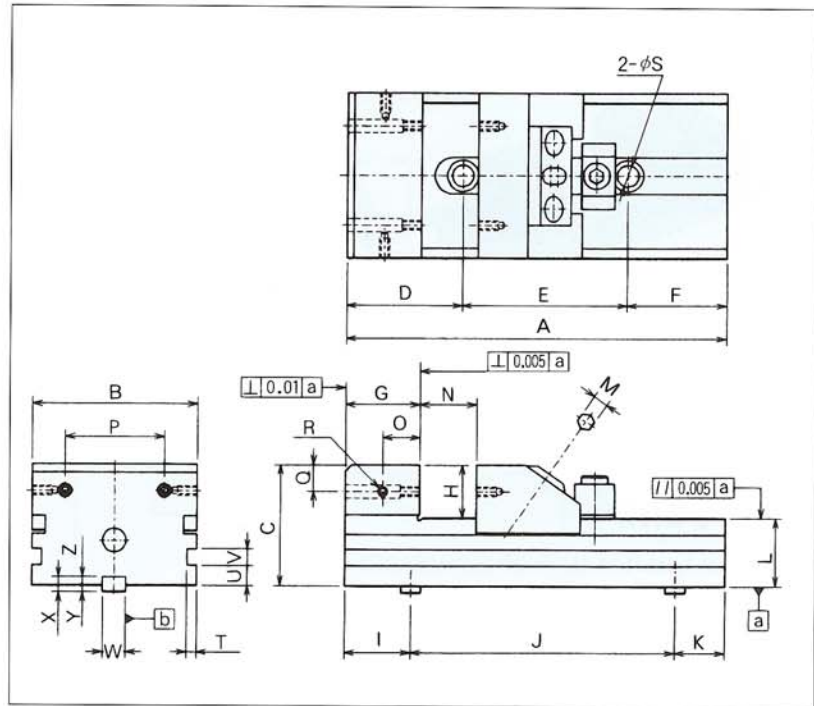




**(STANDARD ACCESSORIES)**

- Key block 1set
- Hex wrench 1pce



**FEATURES**

- Free positioning of the nut block and sliding jaw with patented "WEDGE-LOCK" method.
- Down-thrust access of the sliding jaw with clamping screw engaging the nut on the slant prevents jaw tilt and workpiece lift.
- Easy set up with the key way and blocks on the bottom surface.
- Hardened tool steel ground to the highest degree of precision, parallel and square within 0.005 mm guaranteed.

**SIZE**

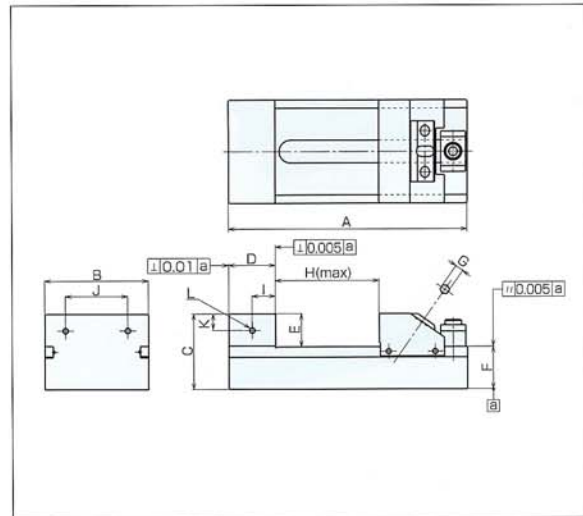
| No.       | A   | B   | C  | D  | E   | F  | G  | H  | I  | J   | K  | L  | M |
|-----------|-----|-----|----|----|-----|----|----|----|----|-----|----|----|---|
| ETO- 80TH | 185 | 80  | 60 | 66 | 70  | 49 | 40 | 26 | 35 | 130 | 19 | 34 | 6 |
| ETO-100TH | 230 | 100 | 73 | 70 | 100 | 60 | 45 | 32 | 40 | 160 | 30 | 41 | 8 |
| ETO-125TH | 253 | 125 | 86 | 68 | 115 | 67 | 45 | 45 | 38 | 175 | 37 | 41 | 8 |

| No.       | N   | O    | P  | Q    | R  | S  | T | U  | V  | W  | X  | Y | Z   |
|-----------|-----|------|----|------|----|----|---|----|----|----|----|---|-----|
| ETO- 80TH | 85  | 20   | 48 | 13   | M6 | 13 | 6 | 10 | 10 | 14 | 10 | 6 | 3.5 |
| ETO-100TH | 105 | 22.5 | 60 | 16   | M6 | 13 | 6 | 12 | 10 | 14 | 10 | 5 | 5   |
| ETO-125TH | 125 | 22.5 | 80 | 22.5 | M6 | 13 | 6 | 12 | 10 | 14 | 10 | 5 | 5   |

**SPEC**

| No.       | Jaw Width | Jaw Depth | Jaw Opening | Key Blocks | Clamping Force(kN) | Clamping Torque | Weight(kgs) |
|-----------|-----------|-----------|-------------|------------|--------------------|-----------------|-------------|
| ETO- 80TH | 80        | 26        | 85          | 14         | 6                  | 20              | 5           |
| ETO-100TH | 100       | 32        | 105         | 14         | 8                  | 60              | 9           |
| ETO-125TH | 125       | 45        | 130         | 14         | 8                  | 70              | 14          |



## FEATURES

- More economical type without clamping holes and grooves as well as key-way for positioning.
- Free positioning of the nut block and sliding jaw with patented ‘WEDGE-LOCK’ system.
- Down-thrust access of the sliding jaw with clamping screw engaging the nut on the slant prevents jaw tilt and workpiece lift.
- Hardened tool steel ground to the highest degree of precision, parallel and square within 0.005 mm.

## STANDARD ACCESSORY

Hex. Wrench(Allen key) ... 1 pce.

## SIZE

| No.        | A   | B   | C  | D  | E  | F  | G | H   | I    | J  | K    | L  |
|------------|-----|-----|----|----|----|----|---|-----|------|----|------|----|
| ETO- 80GTH | 185 | 80  | 60 | 40 | 26 | 34 | 6 | 80  | 20   | 48 | 13   | M6 |
| ETO-100GTH | 230 | 100 | 73 | 45 | 32 | 41 | 8 | 100 | 22.5 | 60 | 16   | M6 |
| ETO-125GTH | 250 | 125 | 86 | 45 | 45 | 41 | 8 | 120 | 22.5 | 80 | 22.5 | M6 |

## SPEC

| No.        | Jaw Width | Jaw Depth | Jaw Opening | Clamping Force(kN) | Clamping Torque(N.m <sup>3</sup> ) | Weight(kgs) |
|------------|-----------|-----------|-------------|--------------------|------------------------------------|-------------|
| ETO- 80GTH | 80        | 26        | 80          | 6                  | 20                                 | 5           |
| ETO-100GTH | 100       | 32        | 100         | 8                  | 60                                 | 9           |
| ETO-125GTH | 125       | 45        | 120         | 8                  | 70                                 | 14          |