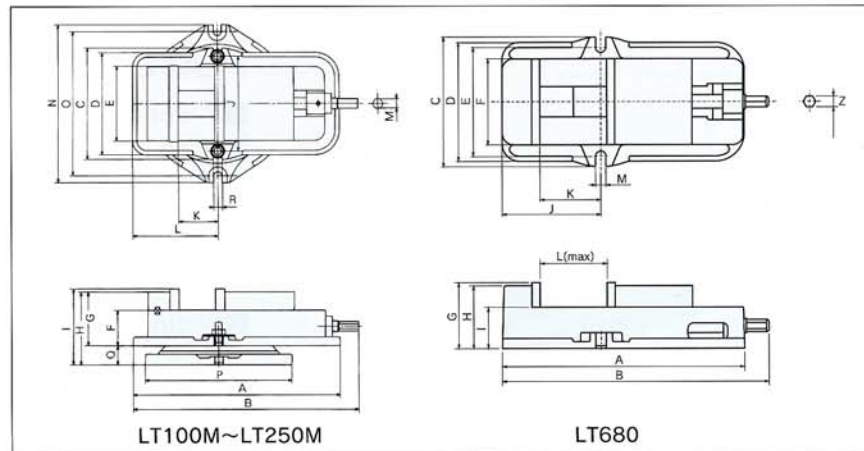


LT680



LT100M~LT250M

LT680

## FEATURES

- All of vises are matched pair on the height of vise bed with the tolerance of  $\pm .0008"$  ( $\pm .0020$  mm)
- Made of ductile iron, stress relieved by annealing. Vise bed is flame-hardened.
- Semi-sphere segment mechanism eliminates jaw tilt and jaw lift.
- Minimum bending of vise body.
- Highest clamping power.
- Rigid ductile iron body that never breaks.
- Simple mechanism free from disorders.
- Guaranteed accuracy.
- Longer jaw opening of 8 inches.(205mm)(LT680)
- Solid stationary jaw for further rigidity.(LT680)
- Weight is 20% less(64lbs or 29kgs) Compared with conventional type of vise for easier handling and high speed feeding.(LT680)
- LT100MC, 150MC ARE SIDES CUT TYPE and suitable for multiple use.

## SIZE

No.	A	B	C	D	E	F	G	H	I	J	K	L	M	N	O	P	Q	R
LT100M	319	337	161	146	101	57	85	119	123	133	54	127.5	14	256	232	228	34	15
LT125M	356	387	187	178	126	64	97	131	136	156	59	140	16	283	255	248	34	16
LT150M	425	463	230	210	151	73	111	153	159	192	80	173	19	334	320	298	42	18
LT200M	553	588	290	279	202	84	134	191	198	250	92	215	22	425	379	409	57	24
LT250M	694	737	370	334	253	98.5	161.5	-	-	310	119	270	22	-	-	-	-	-

No.	A	B	C	D	E	F	G	H	I	J	K	L	M	N
LT680	425	468	230	210	192	152	117	111	73	173	107	207	18	19
LT100MC	268	316	104	101	-	-	89	-	57	-	-	-	-	14
LT150MC	368	435	154	151	-	-	117.2	-	73	-	-	-	-	19

## SPEC

No.	Jaw Width	Jaw Depth	Jaw Opening	Standard Key Block	Clamping Force(kN)	Weight(kgs)
LT100M	101	32	102	18	40	16
LT125M	126	38	112	18	40	25
LT150M	151	44	143	18	40	36
LT200M	202	57	190	18	40	65
LT250M	253	75.5	248	18	50	135

No.	Jaw Width	Jaw Depth	Jaw Opening	Standard Key Block	Clamping Force(kN)	Weight(kgs)
LT680	152	44	207	18	40	29
LT100MC	101	32	102	18	30	11
LT150MC	151	44	143	18	40	32