



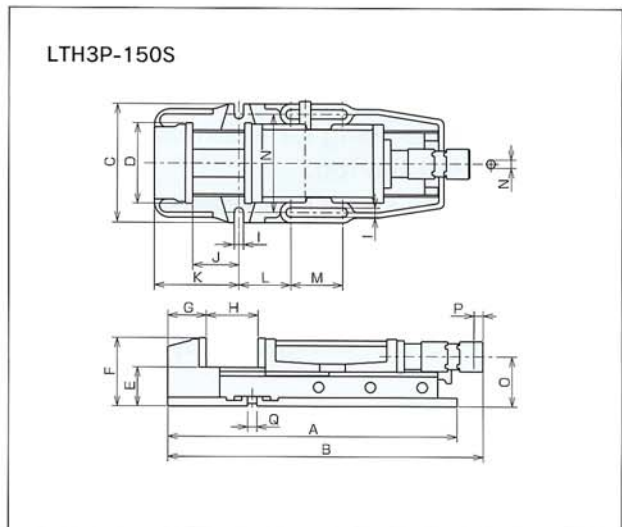
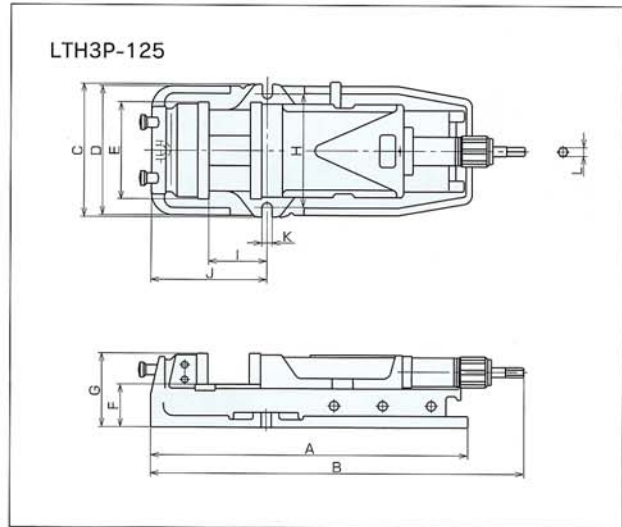
LTH3P-125

### FEATURES

- Down thrust 'Semi-sphere Segment' eliminates jaw lift and work tilt.
- Vise body made of ductile iron (tensile strength 60 kgs/mm<sup>2</sup> or 80,000 psi). All surface ground. Vise bed flame-hardened.
- Easier change of mode by original clutch mechanism. (different way between LTH3P-125 and LTH3P-150S).



LTH3P-150S



### SIZE

No.	A	B	C	D	E	F	G	H	I	J	K	L	M	N	O	P	Q	R
LTH3P-125	510	564-789	187	178	129	67	121	153	99	157	71	155	16	283	270	255	32	15

No.	A	B	C	D	E	F	G	H	I	J	K	L	M	N	O	P	Q
LTH3P-150S	558	507~807	210	156	75	132	74	0~300	18	89	163	100	100	14	97	17.5	18

### SPEC

No.	Jaw Width	Jaw Depth	Jaw Opening	Key Blocks	Clamping Force(kN)	Weight(kgs)
LTH3P-125	129	54	225	16	30	32

No.	Jaw Width	Jaw Depth	Jaw Opening	Key Blocks	Clamping Force(kN)	Weight(kgs)
LTH3P-150S	156	57	300	18	40	40